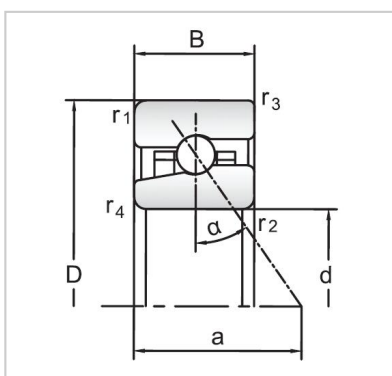


Angular Contact Ball Bearings

High speed Angular Contact Ball Bearings-H71913 C



Bearing NO.	H71913 C
Dimensions(mm)	
d	65
D	90
B	13
Basic Loading Ratings(KN)	
C	16.5
C0	12.5
Fatigue limit Pu (kN)	0.53
Calculation coefficient	8.5
f0	
Limiting speeds (r/min)	
Grease	20000
Oil	31 000
d1 ~	72.8
D1 ~	82.3
r1,2 min	1
r3,4 min	0.3
a	18
da,db min (mm)	69.6
Da max (mm)	85.4
Db max (mm)	87.6
ra max (mm)	1
rb max (mm)	0.3
Weight (kg)	0.2